

4

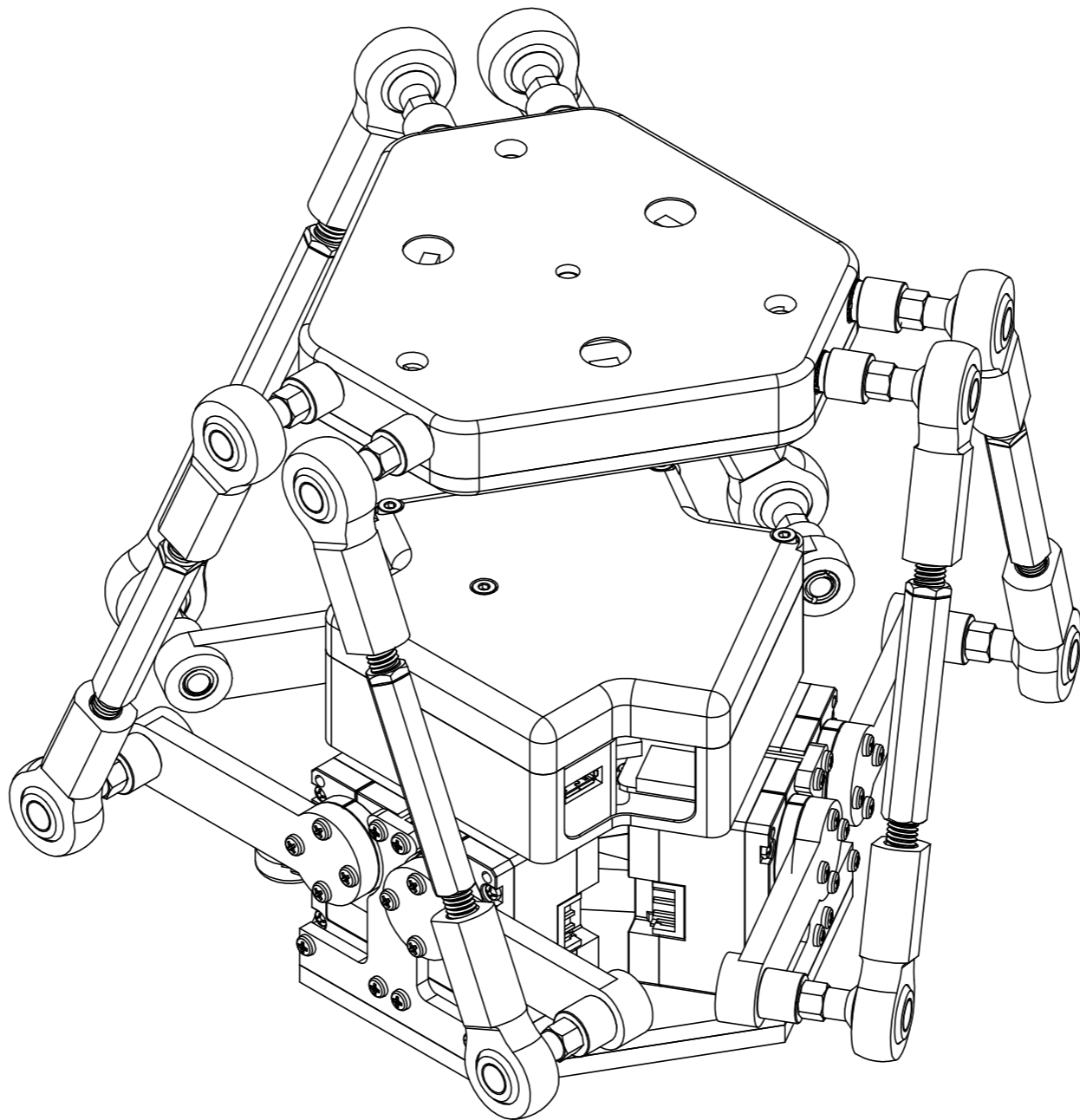
3

2

1

1: Final Assembled Model

Please refer to included BOM for part numbering



4

3

2

1

B

B

A

A

4

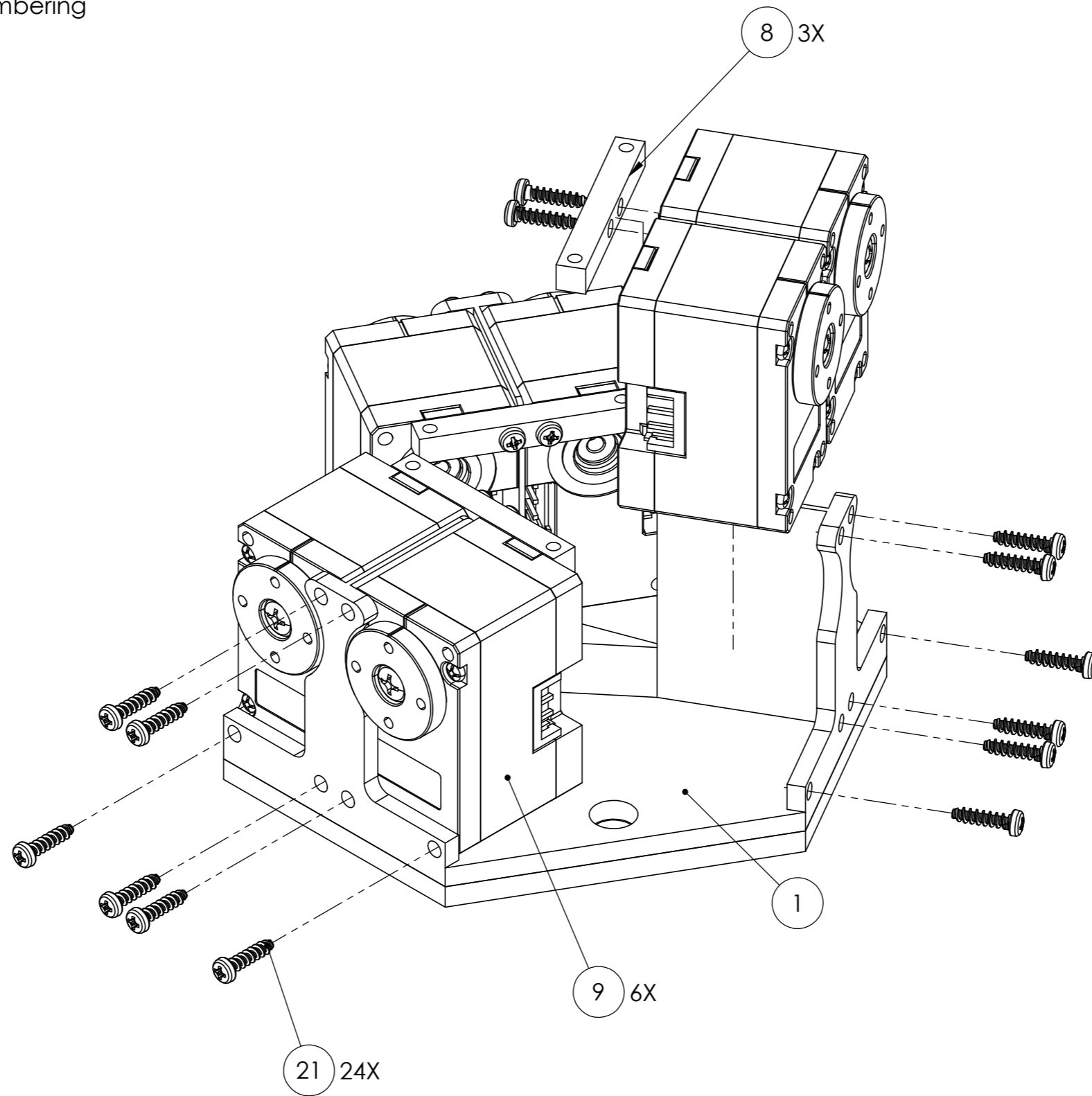
3

2

1

2: Base Assembly

Please refer to included BOM for part numbering



4

3

2

1

B

B

A

A

4

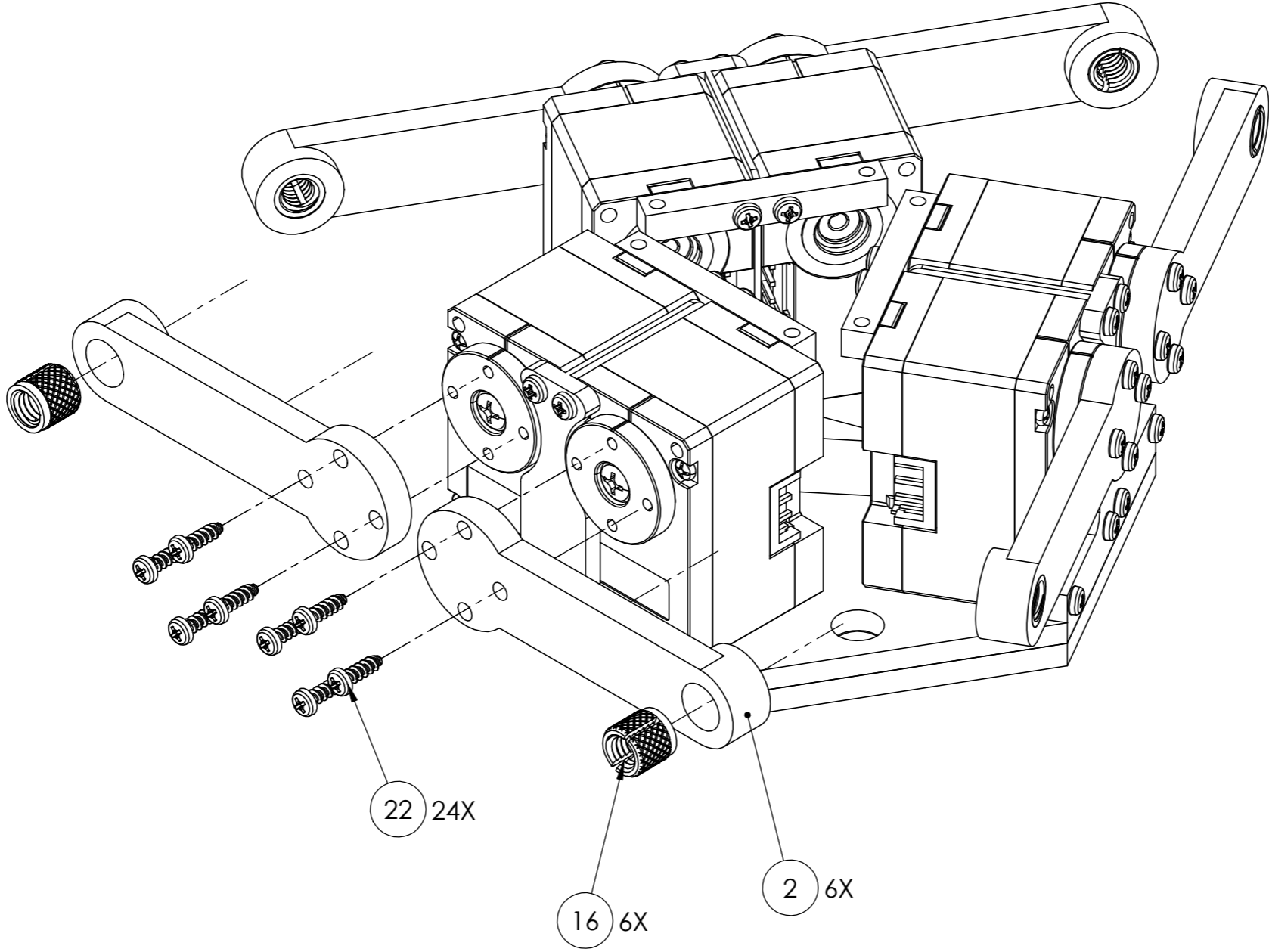
3

2

1

3: Crank Arms

Please refer to included BOM for part numbering



Press screw-to-expand inserts before assembling with one drop of gel CA glue on knurls

4

3

2

1

B

B

A

A

4

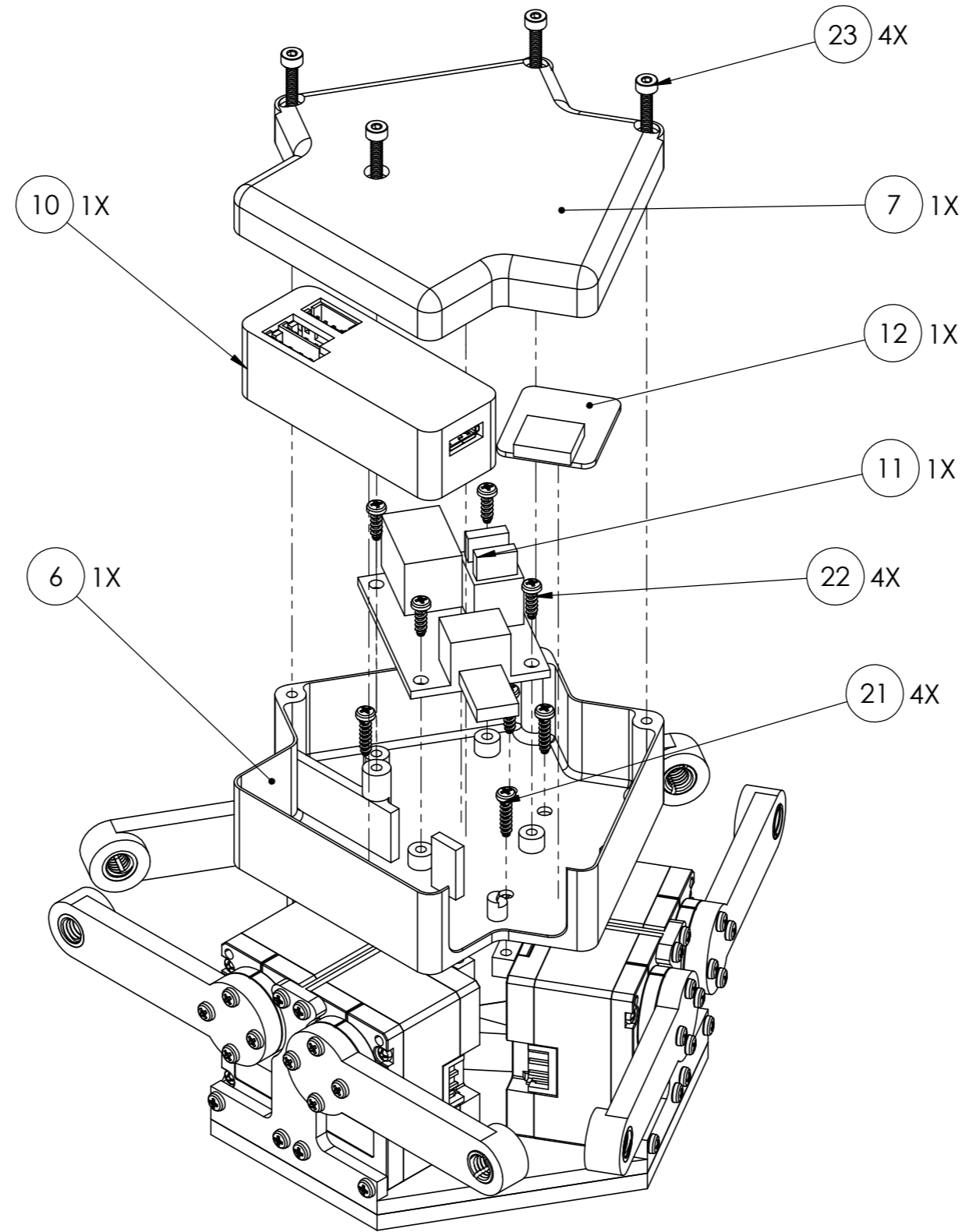
3

2

1

4: Electronics

Please refer to included BOM for part numbering



4

3

2

1

B

B

A

A

4

3

2

1

5: Top Platform

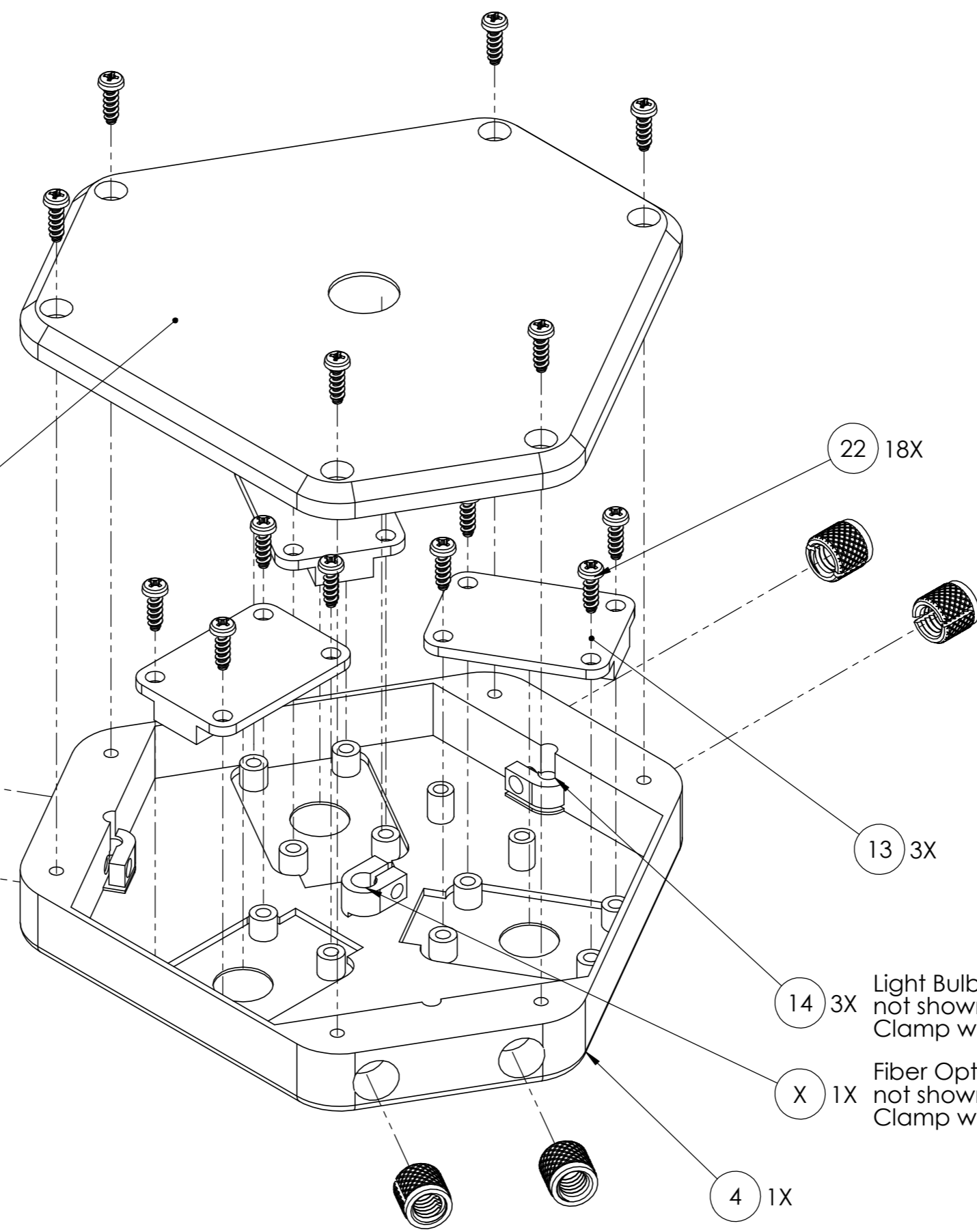
Please refer to included BOM for part numbering

B

B

A

A



5 1X

22 18X

Press screw-to-expand inserts before assembling with one drop of gel CA glue on knurls

16 6X

13 3X

14 3X Light Bulbs are inserted here, not shown in CAD. Clamp with screw if needed

X 1X Fiber Optic Cable is inserted here, not shown in CAD. Clamp with screw if needed

4 1X

4

3

2

1

4

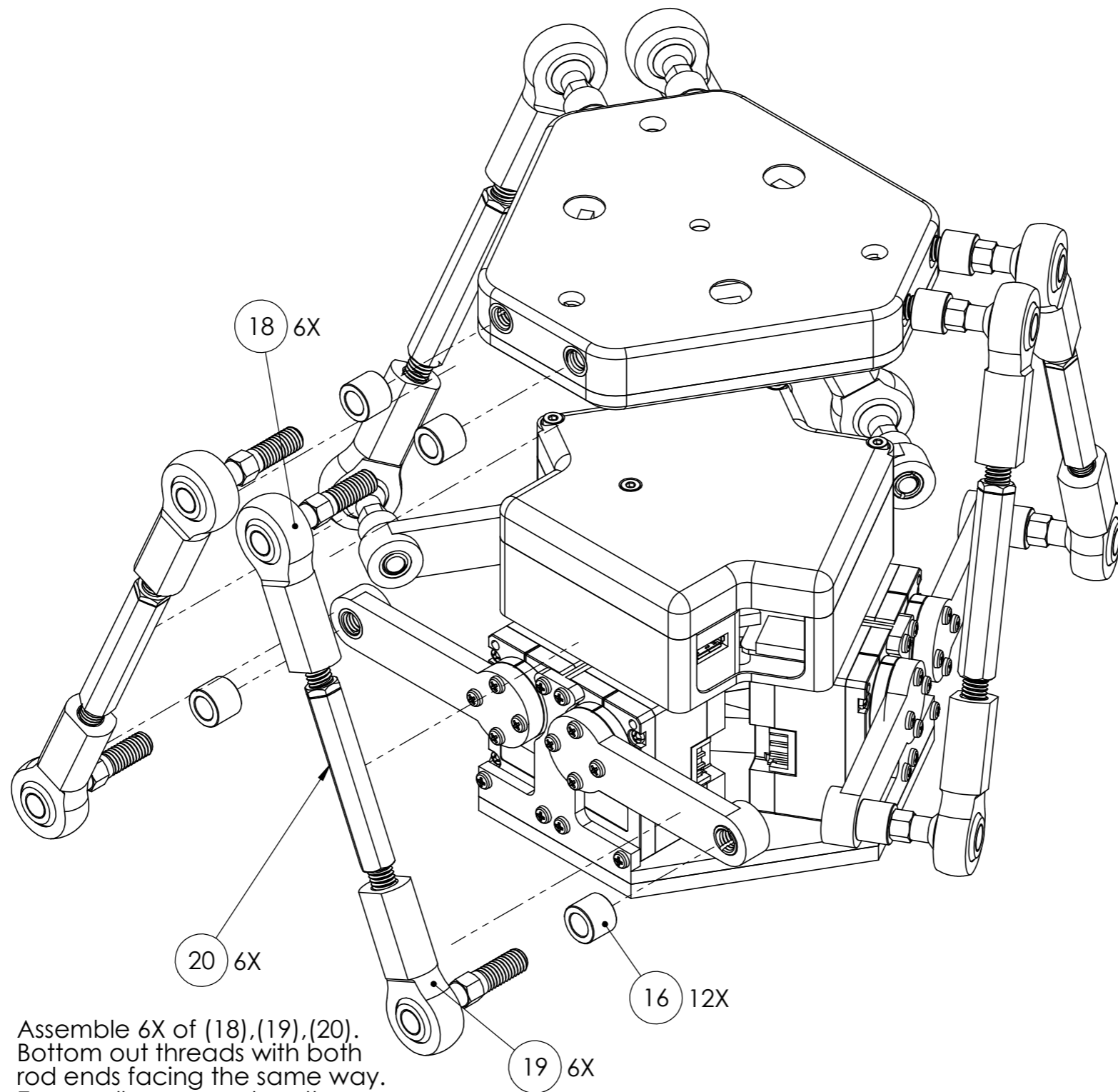
3

2

1

6: Links

Please refer to included BOM for part numbering



Assemble 6X of (18),(19),(20).
 Bottom out threads with both
 rod ends facing the same way.
 Ensure all are same length.

4

3

2

1

B

B

A

A